



Teknion

Projek

prójekK

Projek expresses the values of appropriate function and user interface. Its clean look fits any room or office. Simple adjustments provide dimensional fit with a minimum of fuss.

Overview Projek™ is smart, simple seating designed for today's workplace where shared workspaces are increasingly common. Projek has a clean and unassuming look that allows for visual fit in varied office settings. The chair's ease and range of adjustment will also fit the great majority of people in a dynamic and diverse workplace.

Inspiration Design inspiration derived from simple things that deliver performance. The goal was innovation guided by real market needs — a simple, smart and purposeful chair that is easy to use, yet able to deliver the best quality and performance. The approach was to take a fresh look at task chair design and what could be done to reinvent the simple.

The design approach included:

- Looking at every component to ask if it had to be there and then paring away the unnecessary — until only the essential remained.
- Looking at each part to ask how it could be made lighter, stiffer and stronger — until every gram had purpose.

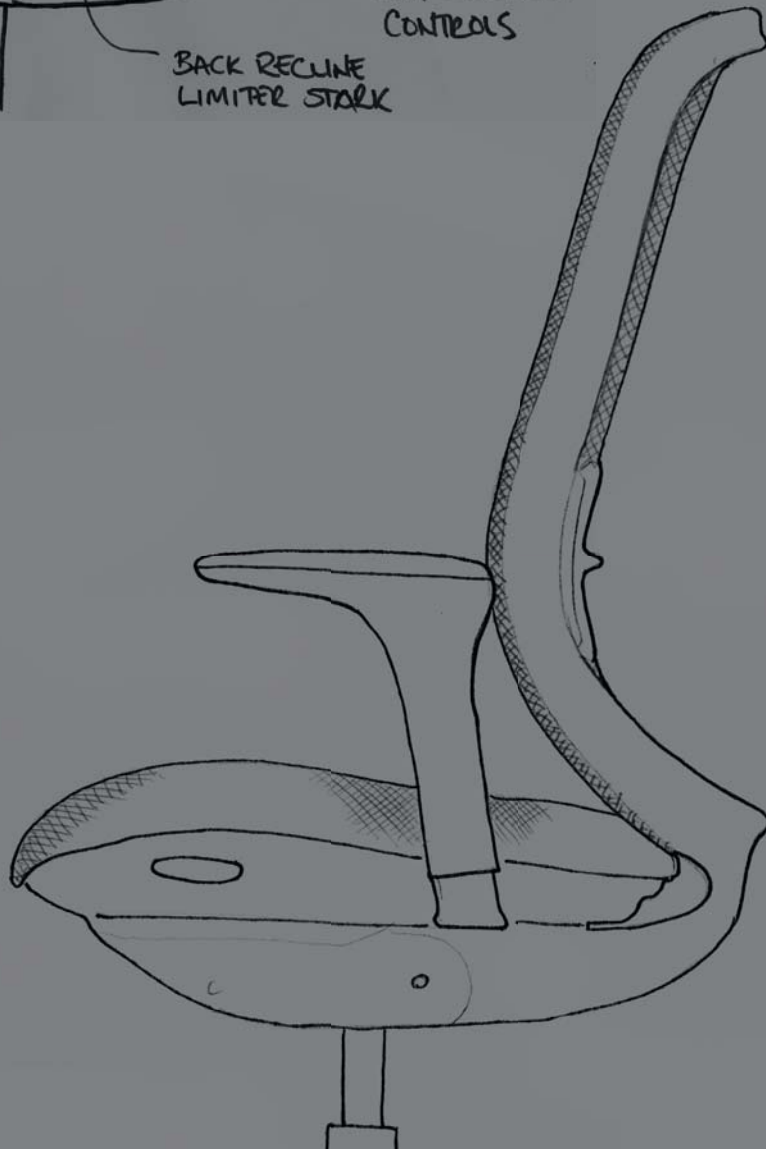
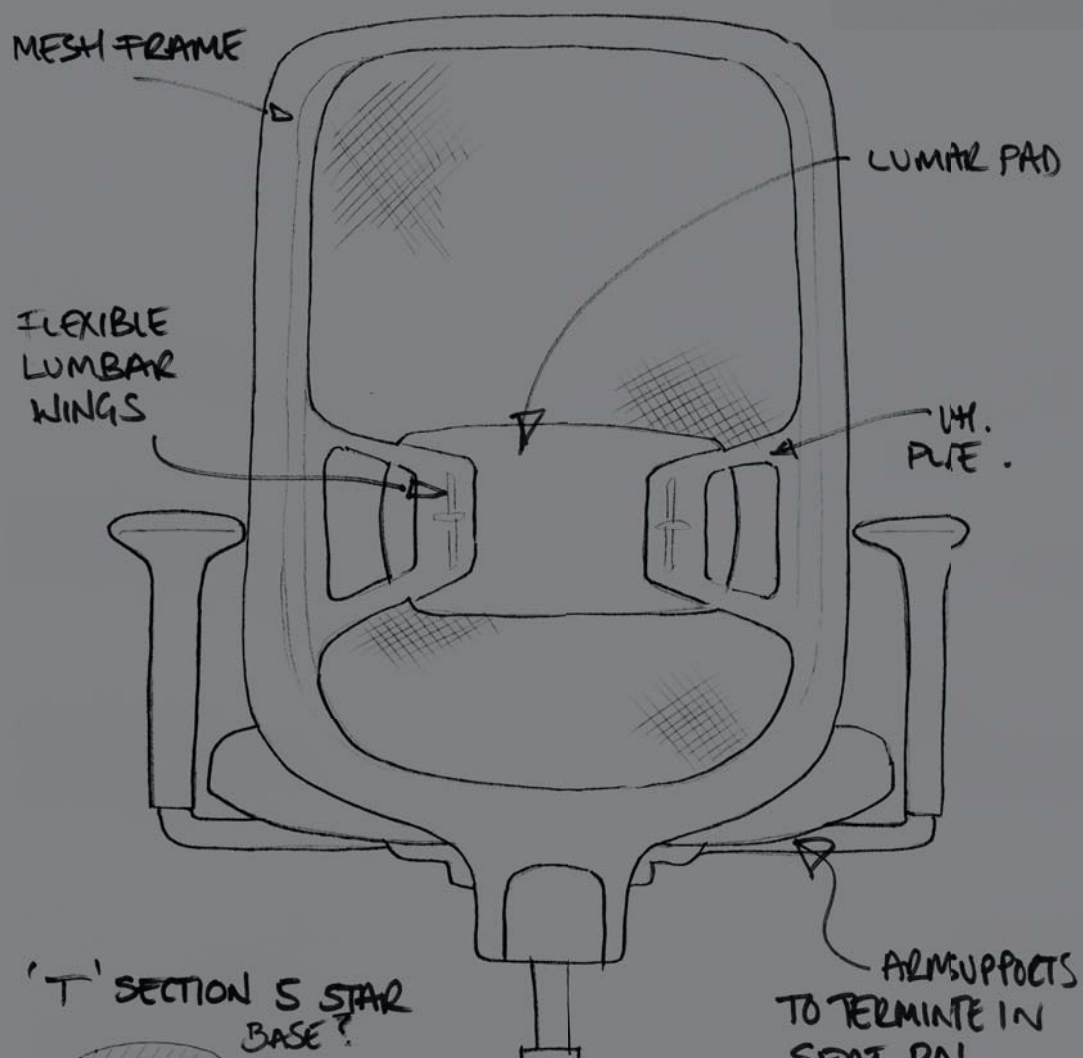
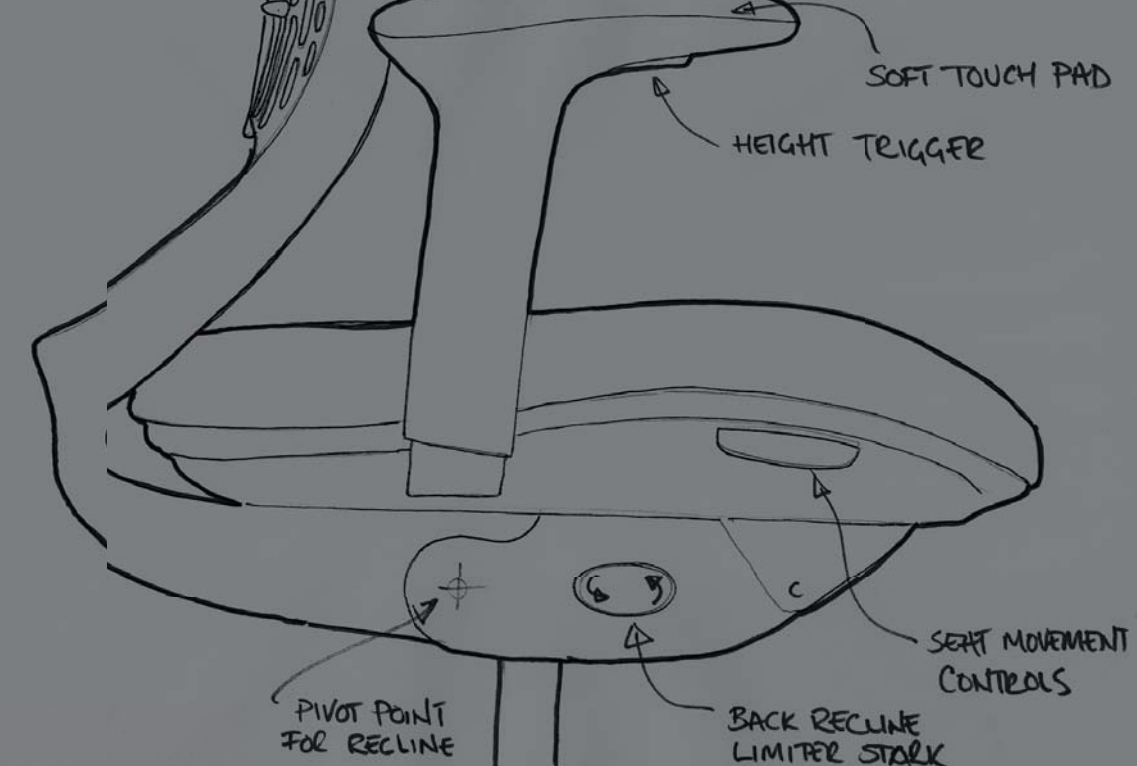
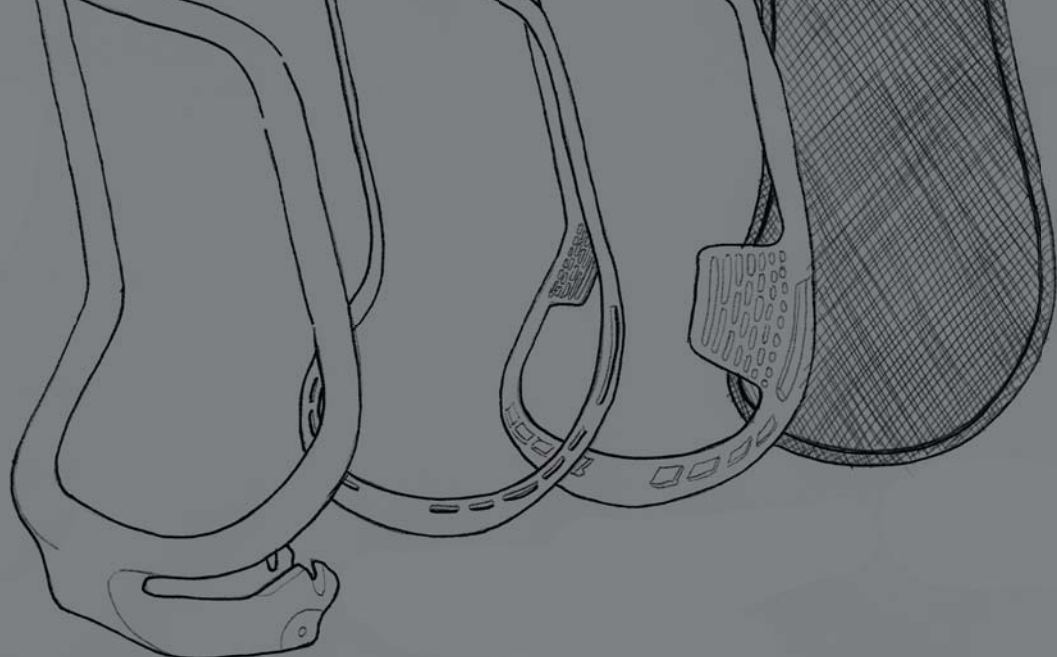
- Looking at every interface to see how it might be changed — until the chair could not be easier to use and build.

The result is Projek, a chair with invention in the materials it utilizes and the performance it delivers. Projek is a chair that marries design and engineering finesse to a fundamental pedigree — ease of use, dimensional fit and dynamic function.



10

DESIGN PROJECT WAS DESIGNED BY ORANGEBOX LIMITED IN THE UK. PRODUCT DEVELOPMENT BEGAN WITH THE ORANGEBOX DESIGN TEAM MANIFESTO : PRAGMATIC PROJECTS THAT ARE CONTEMPLATED, WELL PLANNED AND HAVE TALENTED RESOURCES TEND TO HAVE SUCCESSFUL OUTCOMES.



14





17

AS A HIGHLY ADAPTABLE TASK CHAIR, PROJEK MIRRORS THE NATURE OF TODAY'S DIVERSE KNOWLEDGE-BASED WORKPLACE THAT MUST CONTINUALLY ADAPT TO EVOLVING PROJECTS AND MULTI-DISCIPLINARY PROJECT TEAMS THAT FORM, DISPERSE AND REFORM WITHIN A BROADER ORGANIZATIONAL STRATEGY. PROJEK IS A CHAIR FOR ALL PEOPLE AND ENVIRONMENTS.

user-centered

User-Centered Design Projek has a clean design, the necessary adjustments to assure user fit and is easy to set up and use.

- Projek's unique weight-balancing synchro-tilt mechanism has a tension adjustment for additional fine-tuning. Rather than a back lock option, the task chair has a back stop or travel limiter that encourages movement while ensuring continuous support. The travel limiter allows you to recline at three different stops, with the back locked only in the upright position.
- While assuming varying positions, the adjustable lumbar pad on the task chair and swivel stool allows for lower back support and comfort. You can easily reach and operate the lumbar pad while seated, adjusting 4 inches in height.

- Seat controls are simple, intuitive and located on the seat for easy access. You can adjust the seat height up and down 3, 4 (standard) or 5 inches. Seat depth adjusts back and forth 3 inches.
- Projek offers 2D and 3D adjustable arms to assure proper fit and support for the person, preference and task.
- Mesh textiles adapt to your individual body shape, providing superior back support. Innovative Shrinx mesh back upholstery undergoes a heat-shrink process that molds it to the perfectly defined tension for ideal support. The mesh back also allows air to pass through the material allowing for thermal comfort.

A
Lumbar height

B
*Weight-balancing
synchro-tilt motion*

D *Arm height*

E
Seat height

C *Arm width*

G *Seat depth*

F
Tilt tension

H *Travel limiter/back lock*







aesthetics

Aesthetics Projek offers a fresh take on finishes and aesthetics. You can select a Stone finish for the mesh, outer/inner back frame and lumbar support, in order to plan with an all-neutral silhouette. Classic Ebony is also offered. For a fresh, forward look, mix and match by selecting a finish for each chair part – mesh, seat upholstery, outer back, inner back, lumbar support and base. The guest chair is available in Chrome and Ebony frame options.





BODY: WITHOUT ARMS



A



B

BODY: WITH ARMS



C



D

OUTER FRAME



EBONY



STONE

INNER FRAME



EBONY



STONE

UPHOLSTERED MESH



EBONY



STONE

LUMBAR SUPPORT



EBONY



STONE

ARM: 2D HEIGHT AND WIDTH ADJUSTMENT



EBONY



STONE

ARM: 3D HEIGHT, WIDTH AND ROTATION ADJUSTMENT



EBONY



STONE

BASE & CASTER

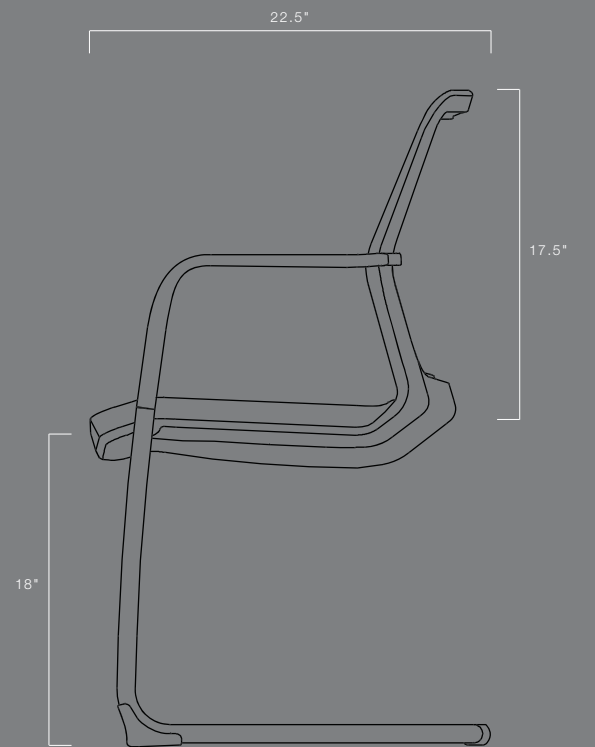
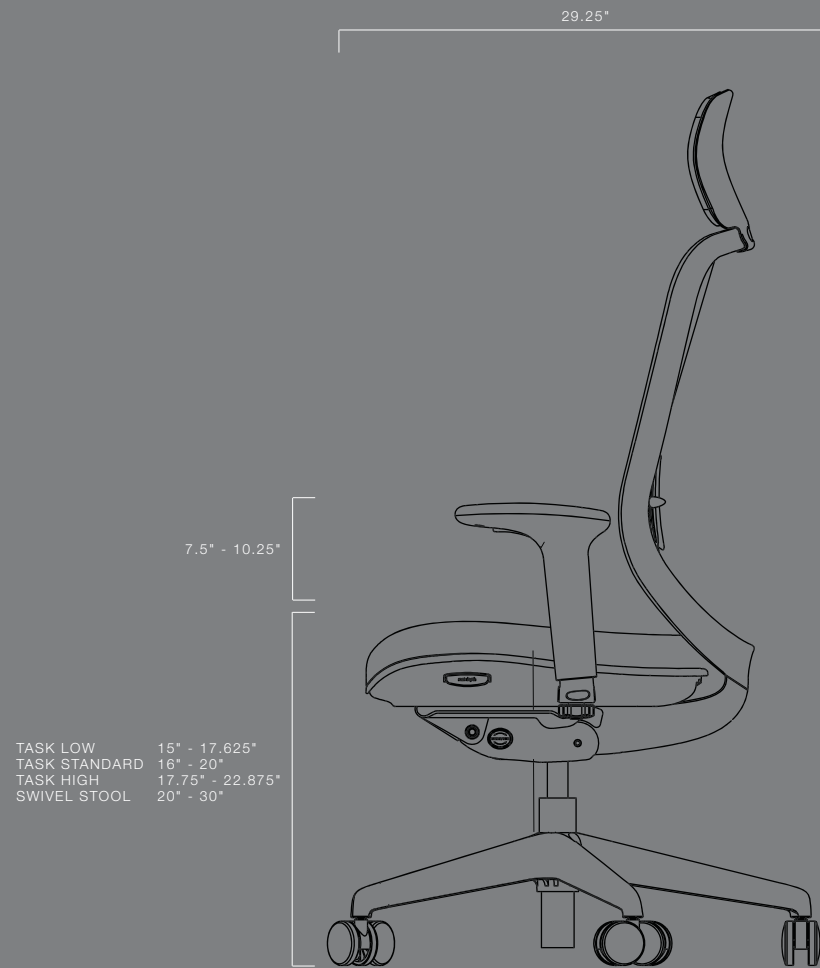


BLACK NYLON
BASE WITH 60MM
CASTER



POLISHED
ALUMINIUM BASE
WITH 60MM
CASTER

38



TEKNION CORPORATION

WWW.TEKNION.COM

IN CANADA:

1150 FLINT ROAD
TORONTO, ONTARIO
M3J 2J5 CANADA
TEL 866.TEKNION
866.835.6466
FAX 416.661.4586

IN THE USA:

350 FELLOWSHIP ROAD
MT LAUREL, NEW JERSEY
08054 USA
TEL 877.TEKNION
877.835.6466
FAX 856.552.5088

OTHER OFFICES LOCATED IN:

EUROPE
SOUTH AND CENTRAL AMERICA
MIDDLE EAST
ASIA
RUSSIA

FOR REGIONAL CONTACT
INFORMATION GO TO
WWW.TEKNION.COM

CAN/US/INT 04-13
© TEKNION 2012-2013
®, ™ TRADE MARKS OF TEKNION
CORPORATION AND/OR ITS SUBSIDIARIES
OR LICENSED TO IT. PATENTS MAY BE
PENDING. SOME PRODUCTS MAY NOT BE
AVAILABLE IN ALL MARKETS. CONTACT
YOUR LOCAL TEKNION REPRESENTATIVE
FOR AVAILABILITY. DESIGNED BY AND SOLD
UNDER LICENSE FROM ORANGEBOX LIMITED.

BROCHURE DESIGN: VANDERBYL DESIGN
PRINTED IN CANADA. SBO40108

Teknion