



Teknion Sidewise

sidewise

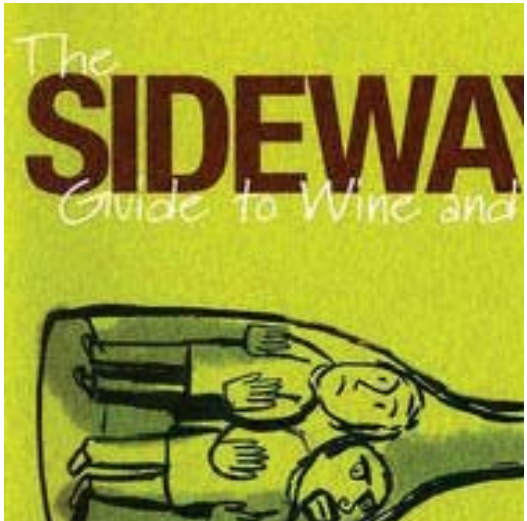


**Overview** With the mobility afforded by technology – and the number of people who now work remotely – many companies are moving to smaller spaces or trimming the size and number of workstations to allocate more space for spontaneous interaction. At the same time, companies are beginning to recognize the importance of enclaves that provide privacy for individuals or small groups of workers engaged in informal collaboration. Consequently, the need arises for furniture designed specifically for the various solo and collective activities that these spaces support. Sidewise™ is a unique response to the new needs of business and people at work. Sidewise is a compact casegoods workstation or collaborative hub suitable for one to three resident and non-resident workers in small enclaves. Sidewise comprises a worksurface and vertical storage positioned at the side of the

workstation, turned 90 degrees from the worksurface and thus, requiring a minimum of space. Lounge-, desk- and counter-height worksurface configurations address a range of user needs and preferences for more dynamic workstyles. Clean lines and refined details contribute to a look of simple elegance. Sidewise represents comprehensive thinking to meet the needs of people whose work allows for or requires different levels of focus, collaboration and mobility.

**Inspiration** The Sidewise concept arose from insight into a key need for spaces in-between the open setting and the traditional meeting room or private office. The typical private office is in use only 50 percent of the time and bookable meeting rooms are often unoccupied. Small groups of people commonly meet in large conference rooms that are neither welcoming nor an efficient use of space. Enclaves – typically less than 120 square feet and used or shared on a temporary basis – address these inefficiencies. Enclaves function for different levels of focus, interaction and mobility. The enclave can function as a touchdown space for visiting employees, contractors or clients; a go-to space for confidential conversations; or a meeting space for three or four team members. By locating enclaves adjacent to open work areas, resident workers can use the space on an ad hoc basis

when privacy or focus is required. Sidewise offers a concise set of elements – worksurface, storage and a technology bridge – that create a complete and unified workstation or collaborative hub. A refined contemporary aesthetic complements other Teknion® furniture products, including Altos® and Optos® full-height architectural wall systems that provide a degree of visual and acoustic privacy, along with the desired level of function and comfort in a small footprint.

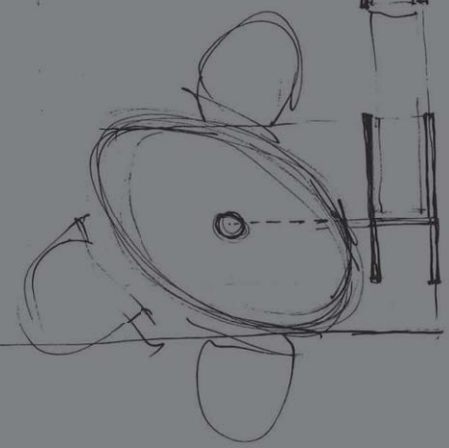


and combs distribution from wall  
spine

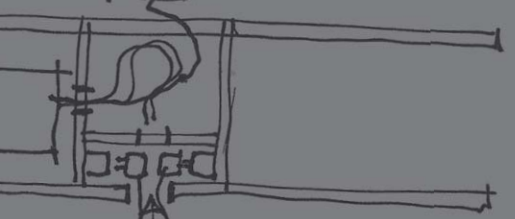
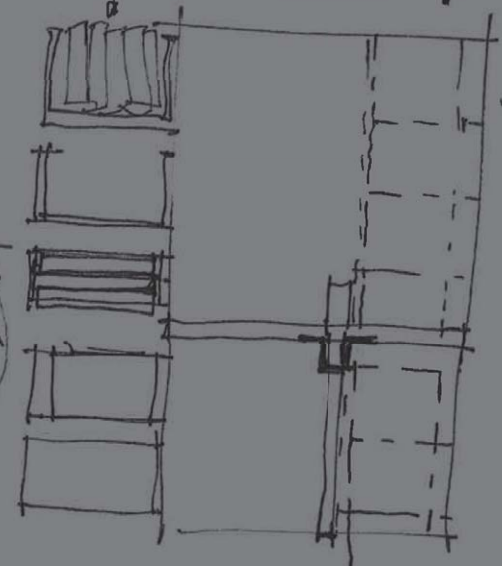
monitor arm mount  
location.

top access location / open or closed

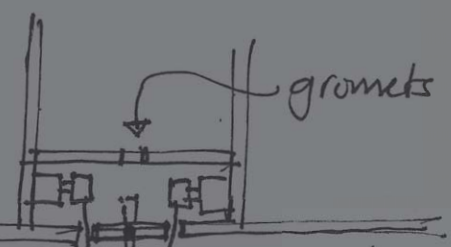
Whiteboard



binders

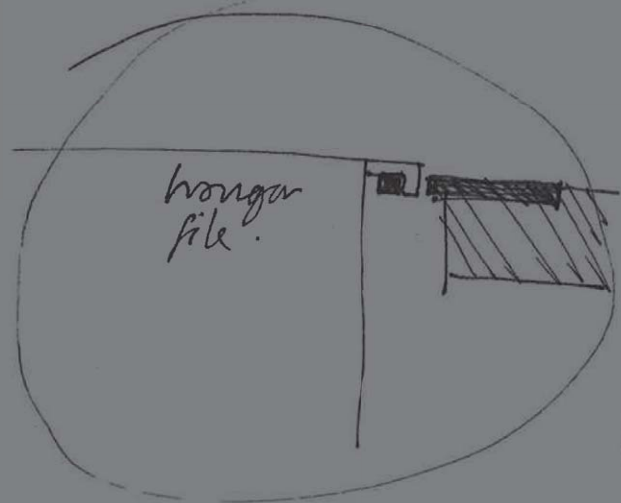


open slot



grommets

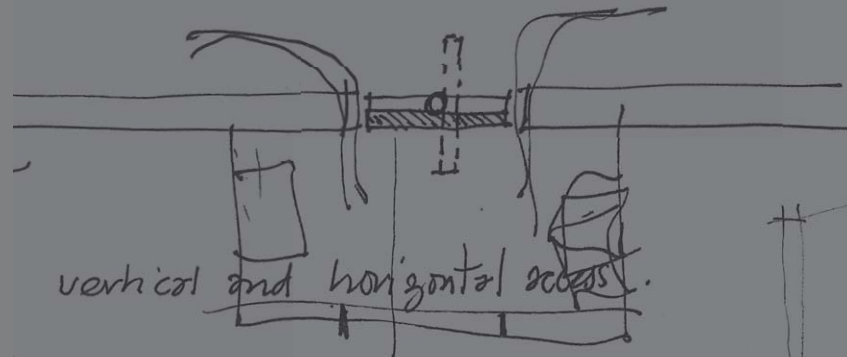
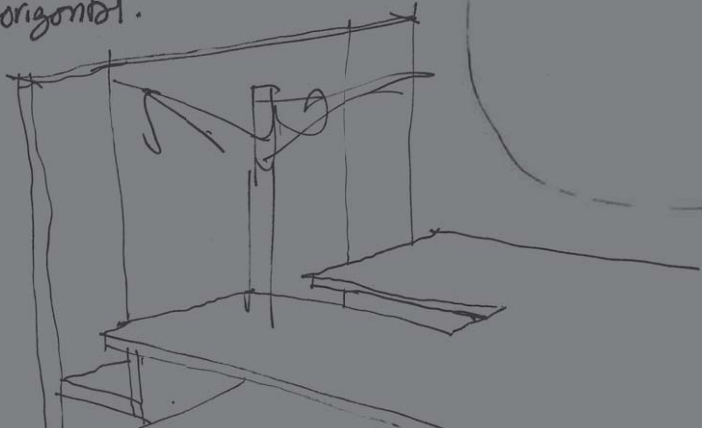
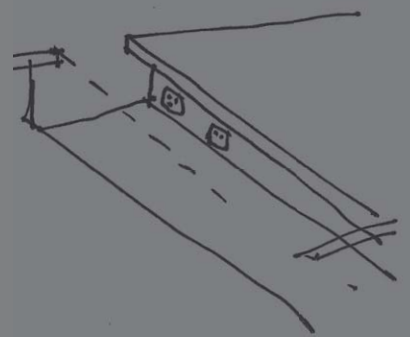
vertical  
and horizontal.



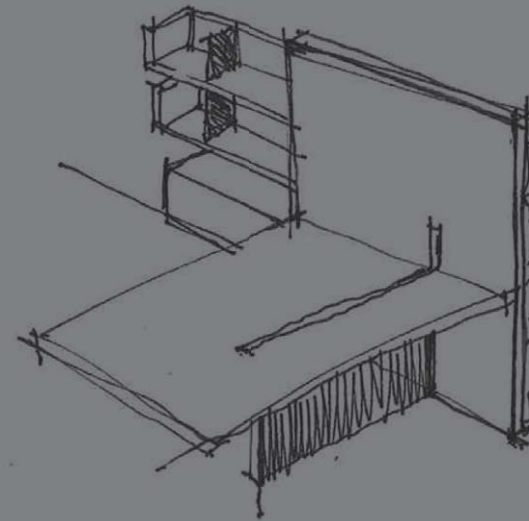
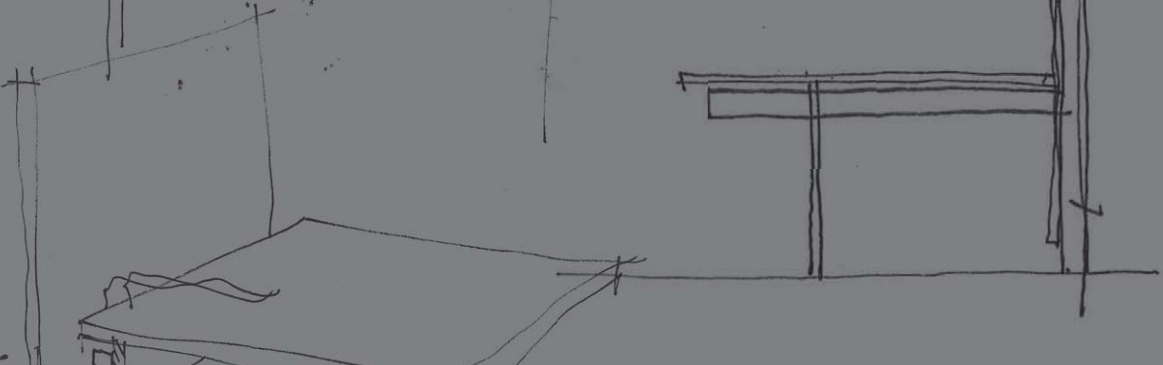
hanger  
file

12

DESIGN BEGINS WITH DEFINING A NEED AND CONSIDERING THE POSSIBLE WAYS TO MEET THAT  
NEED. IDEAS BECOME SKETCHES THAT BECOME PROTOTYPES AND ULTIMATELY, REAL WORLD  
SOLUTIONS. TEKNION FURNITURE PRODUCTS ARE BASED ON REAL CUSTOMER NEEDS.



vertical and horizontal access



# 14

**DESIGNER** TEKNION JOINED FORCES WITH CHRISTOPHER WRIGHT, WHOSE EXTENSIVE EXPERIENCE ENCOMPASSES CORPORATE, RETAIL, BANKING AND HOSPITALITY ARCHITECTURAL INTERIORS. SIDEWISE REFLECTS MR. WRIGHT'S KNOWLEDGE OF DESIGN AND MANUFACTURING, AS WELL AS HIS INSIGHTS INTO EMERGING WORKPLACE STRATEGIES AND NEW PLANNING POSSIBILITIES.





**Advantages** Sidewise offers singular advantages in the modern workplace where it's important to do more with smaller spaces by constructing clever, scaled-down workstations that work for the individual, the team and the organization. Sidewise is a simple kitted collection that makes it easy to plan the workspace. It is built around a worksurface and storage unit that can be configured as a single- and double-sided workstation or group meeting space. The Sidewise line includes:

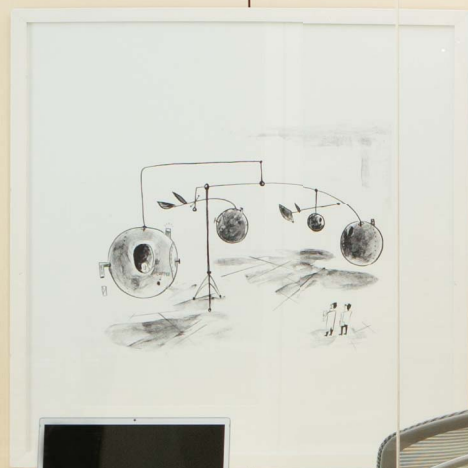
- Lounge-height packages – Recliner; Meeting Hub
- Desk-height configurations – Single-sided Desk; Consultation Hub; Meeting Hub
- Counter-height offering – Consultation Hub; Meeting Hub
- Storage and miscellaneous accessories



**Space Optimization** Sidewise provides optimal function in less real estate. It is designed for enclaves, retreats and wellness rooms, private offices and other small spaces in the office environment. Beyond the corporate setting, Sidewise is appropriate for libraries and academic environments, retail, banking and service-oriented industries. Sidewise maximizes the use of horizontal and vertical space.

- The unique monolithic vertical storage component – turned 90 degrees from the worksurface – offers structural support while minimizing the workstation footprint
- The vertical monolithic also provides single- or double-sided access while meeting lower-density public and personal storage needs
- The lateral positioning of the storage component, along with space-saving, side-access slide-out doors/drawers, makes it easy to access stored items from a seated position with no need to back up one's chair
- A range of worksurface heights at 24, 29 and 36 inches enhances space and user versatility

22





24

DOUBLE-SIDED WORKSTATIONS CREATE MEETING SPACES AT A SCALE APPROPRIATE FOR ENCLAVES. MONITORS, EDGE-MOUNT ONTO TEKNION'S MAST® ARM TO ALLOW SHARING OF INFORMATION BETWEEN PARTICIPANTS AND FREE WORKSURFACE SPACE.



## 27

SLIDE-OUT SIDE-ACCESS DOORS AND DRAWERS SAVE SPACE AND MAKE IT EASY TO RETRIEVE STORED ITEMS FROM A SEATED POSITION. USERS NEED NOT PUSH BACK TO ACCESS CONTENTS — ELIMINATING THE NEED FOR EXTRA SPACE BEHIND THE CHAIR.



**Minimalist Design** Designed with meticulous attention to detail, Sidewise synthesizes form and function.

- The unique Recliner configuration brings another dimension of experience to the workplace, serving users who seek a space to think, read or recharge
- Storage interior options include: side-access drawers with file bars; height-adjustable book/binder shelves; space for hanging jackets or stowing handbags, briefcases and other personal items; and drawers customized with fx personal storage accessories
- Additional accessories include: motion-sensitive LED Ambient Light; Modesty Panels and Pull-Out CPU Shelf
- Finished interiors create an attractive look whether storage is open or closed
- Worksurfaces are available with a loop or pedestal support; rectangular, bullet and round shapes are available







**A**  
*Height-adjustable shelves provide ample storage for books and binders.*

**B**  
*Drawer interiors can be customized with fx accessories including the accessory rail with tray set.*



**C**  
*fx trays stow in drawers to organize paperflow.*

**D**  
*Drawers with file bars manage formal filing.*



**Technology Interface** Sidewise offers easy access to power and communications, supporting multiple users with power/data ports at the worksurface and auxiliary outlets below the worksurface for computers and lighting.

- The Technology Bridge provides structure from worksurface to storage, as well as discreet power/data management through the unit to free the worksurface from wire and cable clutter
- Monitors mount on the storage tower or the worksurface, depending on the required application
- Recliner units feature vertically integrated power/data access at the base allowing users to work with hand-held devices while recharging



**A** *The integrated Technology Bridge performs dual functions, linking the worksurface to storage while functioning as the discreet power/data interface.*



**A** *The Lounge Recliner locates vertically integrated power/data access at the base, ideal for users to recharge mobile devices while working.*

**A**

*Double-sided storage units feature adjustable open shelving for casual storage or display.*

**B**

*Monitors mount to storage at lounge-, desk- and counter-heights for sharing information during meetings.*







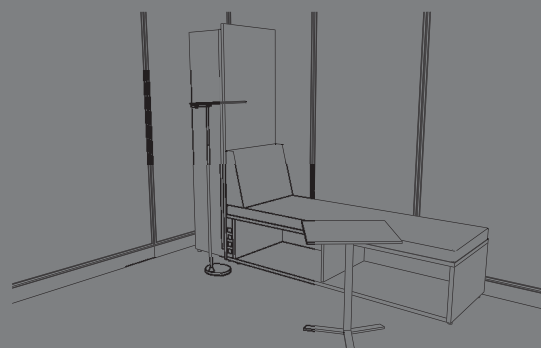
**A** CONSULTATION HUB

*Sidewise creates small, enclosed spaces for 2-4 people. Designed to support small groups engaged in an impromptu consultation or a scheduled meeting, these focus rooms are also ideal for confidential discussions with employees, contractors or clients.*



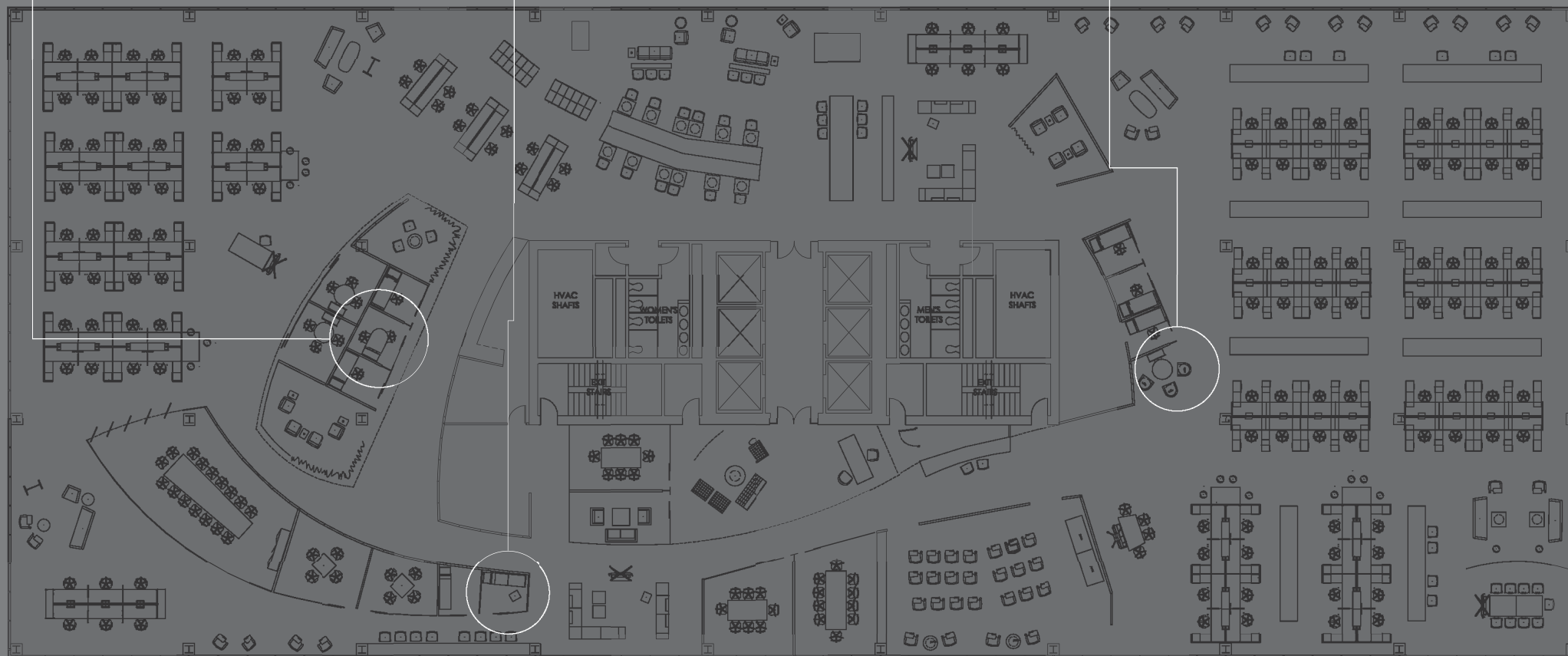
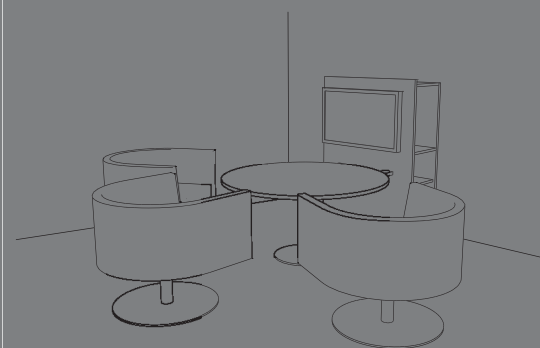
**B** RECLINER HUB

*Designed for enclaves, the Sidewise Recliner caters to users who seek a quiet space for solitude and rejuvenation. Lounge rooms offer privacy away from active work areas where users can recline, relax and work on focused tasks.*



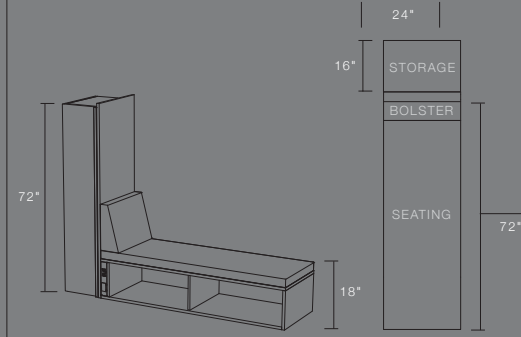
**C** MEETING HUB

*Sidewise is also designed for the small, in-between spaces. Partially open areas can be used to create informal lounge areas for meetings, impromptu collaboration and collection of cross-disciplinary ideas from adjacent work areas.*

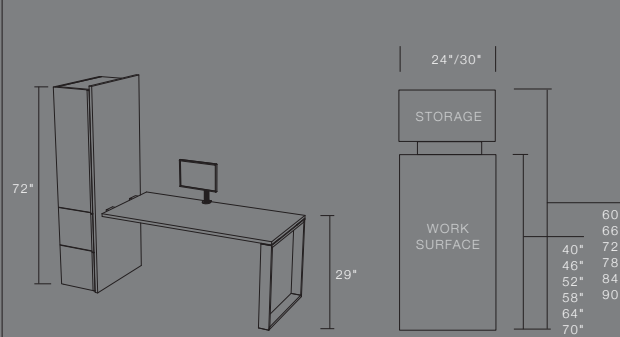


SOLO USE

LOUNGE HEIGHT



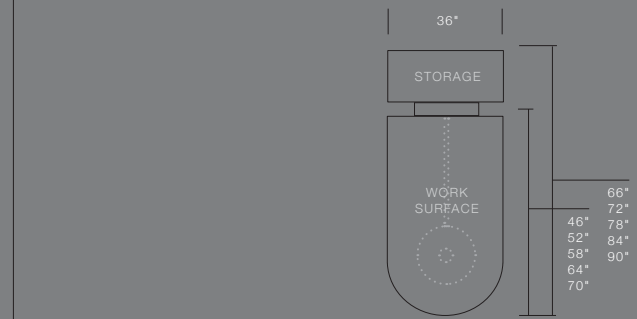
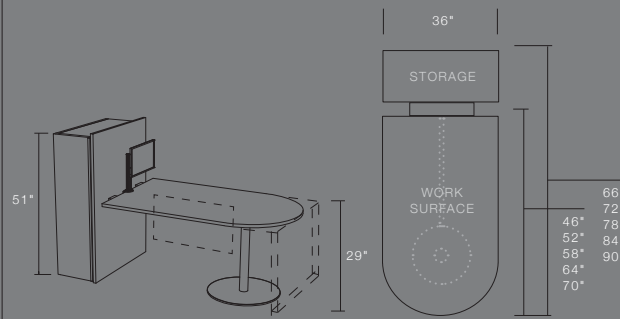
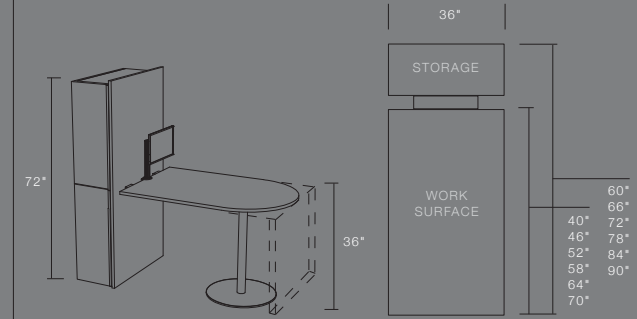
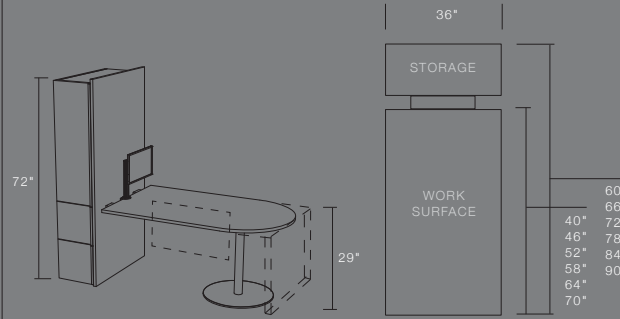
DESK HEIGHT 29"



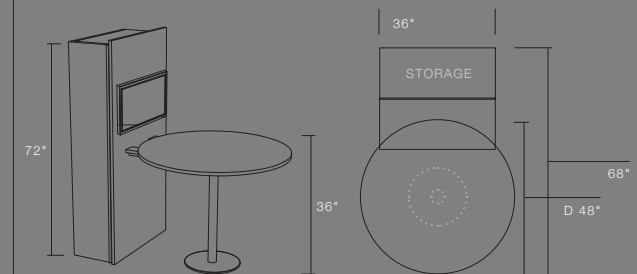
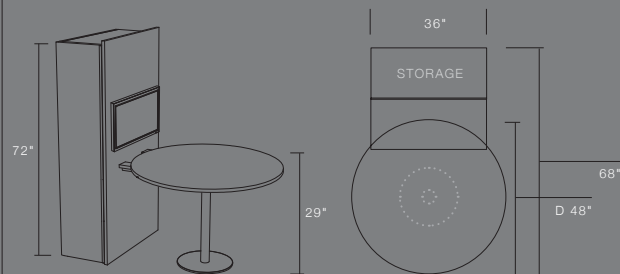
COUNTER HEIGHT 36"



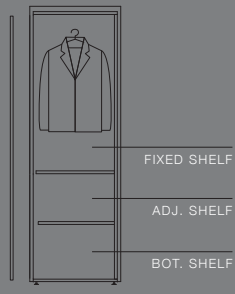
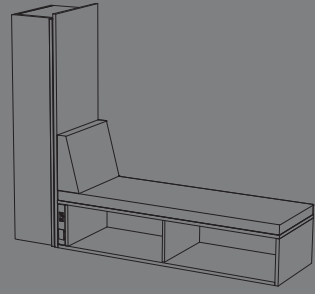
CONSULTATION



MEETING



RECLINER 24" x 72" x 16"

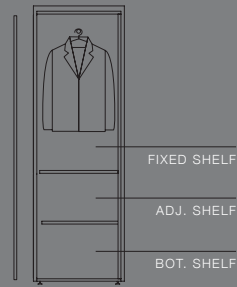
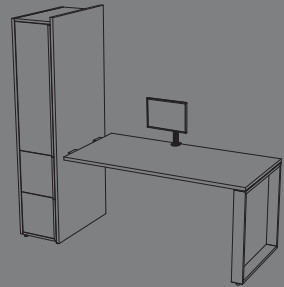


A



B

DESK 24"/30" x 72" x 16"



A



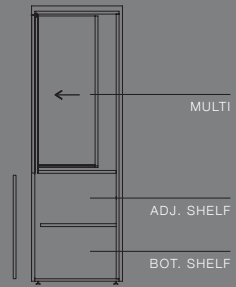
B



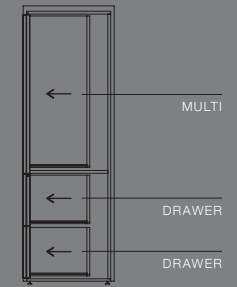
C



D

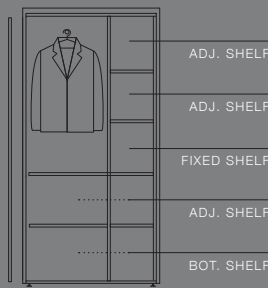
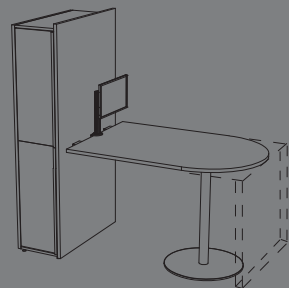


E

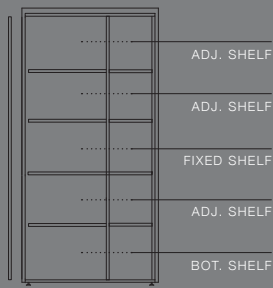


F

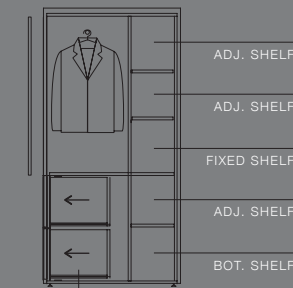
CONSULTATION 36" x 72" x 16"



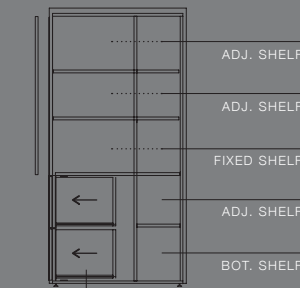
A



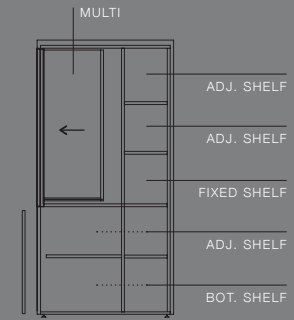
B



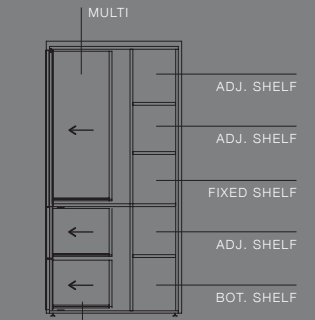
C



D



E



F

MEETING 36" x 51" x 16"



A

MEETING 36" x 72" x 16"



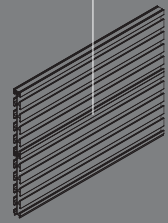
A

MEETING 36" x 72" x 16"

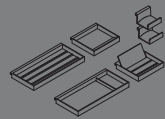


A

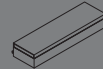
FX PERSONAL STORAGE



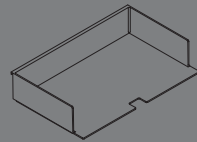
ACCESSORY RAIL



TRAY SET



PERSONAL BOX

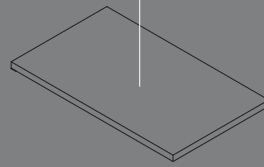


LETTER TRAY



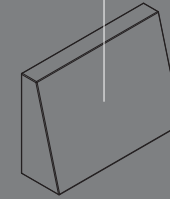
BINDER BIN

STORAGE

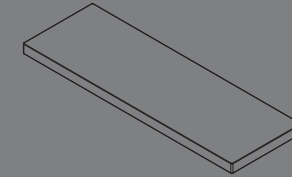


PULL-OUT CPU SHELF

RECLINER

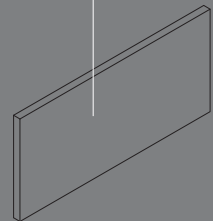


BOLSTER

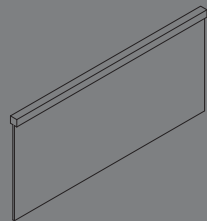


CUSHION

MODESTY PANEL

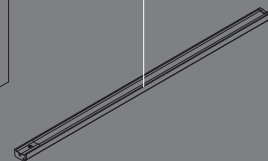


SOLID



GLASS

LIGHTING



LED AMBIENT LIGHT

**Summary** The complexities of the contemporary workplace require an evolved consideration of planning and space allocation. While organizations vary, in all cases it is essential to create alternate locations that meet the needs of individuals or small groups doing focused tasks. Organizations need spaces where individuals can casually touch down for an hour, a day or a week and where people can meet and collaborate on an impromptu basis rather than booking large meeting rooms. Enclaves are a key feature of a workplace scenario no longer defined by the static structure of the private office, the conference room and the cubicle. Designed to support both individual and collective work, Sidewise is ideal for enclaves and other small spaces to accommodate new workstyles, integrate new technologies and optimize space. As designer Christopher Wright has said, Sidewise offers "a transformational solution" for a workplace undergoing a rapid process of evolution.

TEKNION CORPORATION

WWW.TEKNION.COM

IN CANADA:

1150 FLINT ROAD  
TORONTO, ONTARIO  
M3J 2J5 CANADA  
TEL 866.TEKNION  
866.835.6466  
FAX 416.661.4586



IN THE USA:

350 FELLOWSHIP ROAD  
MT LAUREL, NEW JERSEY  
08054 USA  
TEL 877.TEKNION  
877.835.6466  
FAX 856.552.5088

OTHER OFFICES LOCATED IN:

EUROPE  
SOUTH AND CENTRAL AMERICA  
MIDDLE EAST  
ASIA  
RUSSIA

FOR REGIONAL CONTACT  
INFORMATION GO TO  
WWW.TEKNION.COM

CAN/US/INT/06-12  
©TEKNION 2012  
®, ™ TRADE MARKS OF TEKNION  
CORPORATION AND/OR ITS SUBSIDIARIES  
OR LICENSED TO IT. PATENTS MAY BE  
PENDING. SOME PRODUCTS MAY NOT BE  
AVAILABLE IN ALL MARKETS. CONTACT  
YOUR LOCAL TEKNION REPRESENTATIVE  
FOR AVAILABILITY.

BROCHURE DESIGN: VANDERBYL DESIGN  
PRINTED IN CANADA. SB130001

Teknion

